

6

5

4

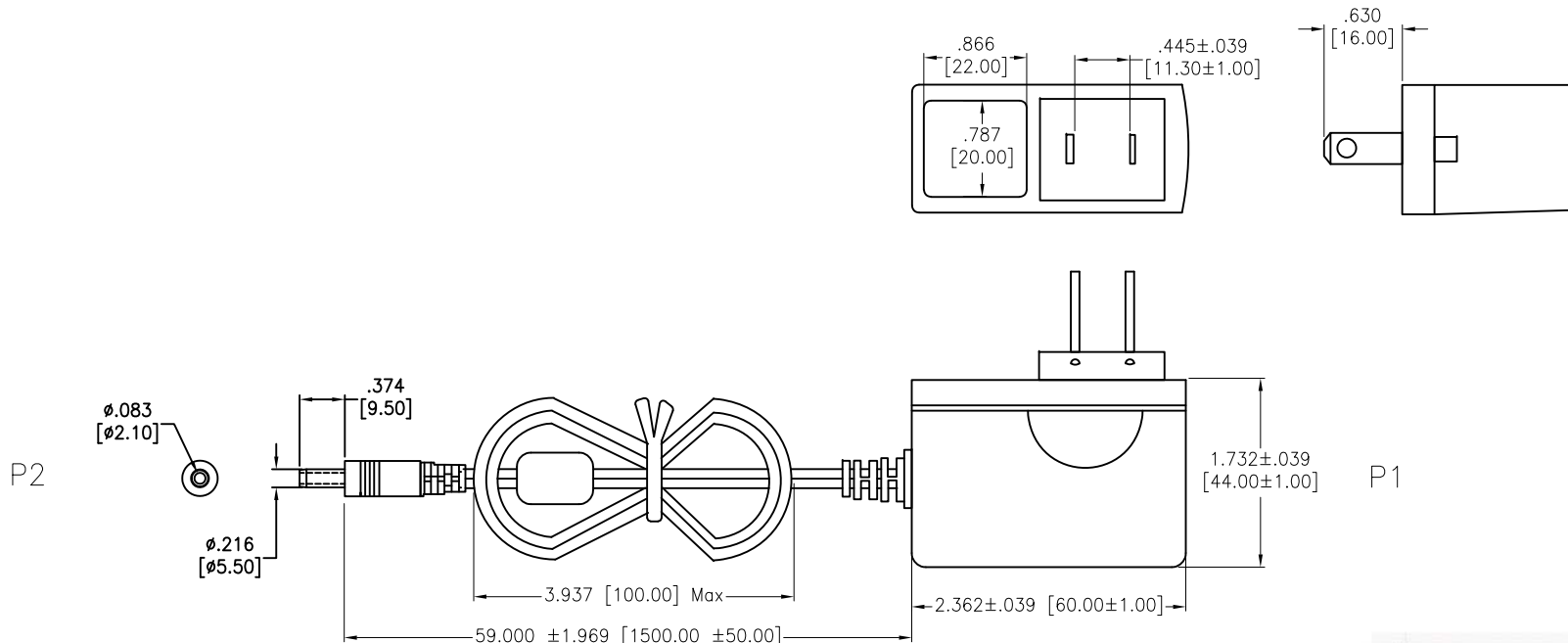
3

2

1

APPROVED: _____
DATE: _____ TITLE: _____

Rev	AWO #	Description	Date	Appr
-		RELEASED	3/22/21	
A		UPDATE DIM.	6/10/21	JJ



SPECIFICATIONS:

Connector
P1: Power Adapter, NEMA 1-15P
P2: DC Plug, W/Strain Relief, 5.5*2.1*9.5mm
Overmold Color: Black

CABLE:
UL2468: 18AWG, Jacket Color: Black

Electrical:
Input:
Voltage: 100Vac to 240Vac
Current: 0.35A Max. @ 90~264Vac input & max load
Frequency: 50Hz / 60Hz

Output:
Voltage: 5V dc
Current: 2.5A max.
Line Regulation: ±5%

Fire rating: UL94V-0
Line Load Regulation-Output Rate: 5V, 2.5A
Insulator Resistance: 10 Mohms min @ 500VDC
Dielectric Strength(Hi-pot): 3000V AC For 1 Minute
Leakage Current: 0.25mAmax.@ 230Vac/50Hz
Temperature Rating:

Operating Temperature: 0°C to +40°C
Storage Temperature: -40°C to +70°C

Environmental:
Lead free, RoHS compliant.



UNLESS OTHERWISE SPECIFIED ALL DIMENSIONS ARE INCHES [MM]. TOLERANCES: EXCEPT AS NOTED			909 Rahway Avenue, Union, NJ 07083 Phone: 908-687-5000 Fax: 908-687-5710									
<table border="1"> <thead> <tr> <th>INCHES</th> <th>HOLES</th> </tr> </thead> <tbody> <tr> <td>.X ± .10</td> <td>ØX ± .10</td> </tr> <tr> <td>.XX ± .020</td> <td>ØXX ± .015</td> </tr> <tr> <td>.XXX ± .015</td> <td>ØXXX ± .010</td> </tr> </tbody> </table>			INCHES	HOLES	.X ± .10	ØX ± .10	.XX ± .020	ØXX ± .015	.XXX ± .015	ØXXX ± .010	ADAM TECH	
INCHES	HOLES											
.X ± .10	ØX ± .10											
.XX ± .020	ØXX ± .015											
.XXX ± .015	ØXXX ± .010											
DRAWN	WX	3/22/21	TITLE POWER ADAPTER TO DC PLUG, 5 VOLT, 2.5AMP, COLOR BLACK, UL2468 18AWG, 5.5X2.1X9.5MM									
CHECKED	AC	3/22/21	SIZE PART NO. REV. X PA-012 A									
APPROVED			REF: SCALE: NTS SHEET 1 OF 1									
THIS DRAWING CONTAINS INFORMATION THAT IS PROPRIETARY AND SHOULD NOT BE USED WITHOUT PRIOR WRITTEN PERMISSION FROM ADAM TECH												

6

5

4

3

2

1