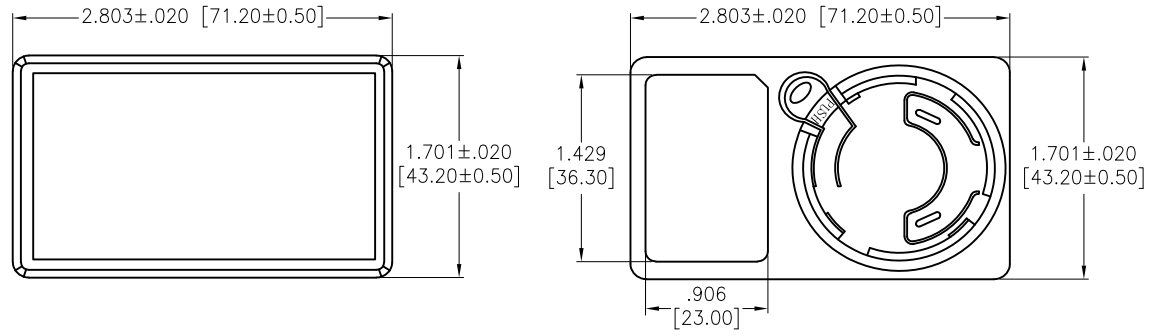
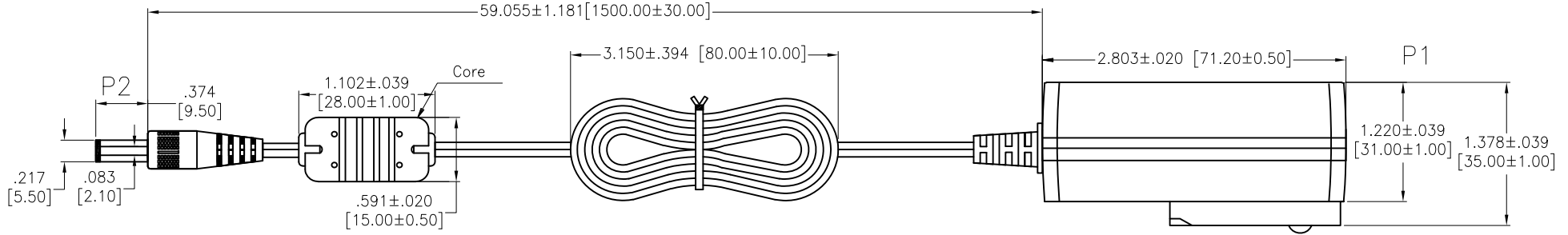


APPROVED: \_\_\_\_\_

DATE: \_\_\_\_\_ TITLE: \_\_\_\_\_

Rev	AWO #	Description	Date	Appr
-		RELEASED	3/22/21	
A		ADDED TOLERANCE	6/10/21	WX/AC
B		UPDATE LABEL	7/19/21	WX/AC
C		UPDATE LABEL	1/12/24	WX/SL



**SPECIFICATIONS:**

Connector

P1: Power Adapter, W/Strain

P2: DC Plug, W/Strain Relief, AC PIN: Brass Nickel plated 5.5\*2.1\*9.5mm  
Overmold Color: Black PVC-45P

CABLE:

UL2468: 20AWG\*2C 80°C, Jacket Color: Black

Electrical:

Input:

Voltage: 100Vac to 240Vac

Current: 1.5A Max. @ 100Vac input & max load

Frequency: 50Hz / 60Hz

Output:

Voltage: 9V

Current: 2.2A max.

Load Regulation: ±5%

Line Regulation: ±3%

Line Load Regulation-Output Rate: 9V, 2.2A

Insulation Resistance: 100 Mohms min @ 500VDC

Dielectric withstanding voltage (Hi-pot): 3,000V AC For 1 Minute

Leakage Current: 0.25mA max. @ 240V AC/50Hz

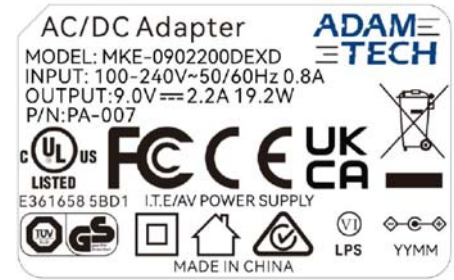
Temperature Rating:

Operating Temperature: 0°C to +45°C

Storage Temperature: -25°C to +85°C

Environmental:

Lead free, RoHS compliant.



SEE SHT 2 OF 2 FOR PLUG TYPE OPTIONS

UNLESS OTHERWISE SPECIFIED ALL DIMENSIONS ARE INCHES [MM]. TOLERANCES: EXCEPT AS NOTED					909 Rahway Avenue, Union, NJ 07083						
<table border="0"> <tr> <td>INCHES</td> <td>Holes</td> </tr> <tr> <td>.X ± .10</td> <td>Ø.X ± .10</td> </tr> <tr> <td>.XX ± .020</td> <td>Ø.XX ± .015</td> </tr> <tr> <td>.XXX ± .015</td> <td>Ø.XXX ± .010</td> </tr> </table>		INCHES			Holes	.X ± .10	Ø.X ± .10	.XX ± .020	Ø.XX ± .015	.XXX ± .015	Ø.XXX ± .010
INCHES	Holes										
.X ± .10	Ø.X ± .10										
.XX ± .020	Ø.XX ± .015										
.XXX ± .015	Ø.XXX ± .010										
DRAWN	WX	3/22/21	TITLE: POWER ADAPTER TO DC PLUG, COLOR BLACK								
CHECKED	AC	3/22/21	9 VOLT, 2.2AMP, UL2468 20AWG, 5.5X2.1X9.5MM								
APPROVED			SIZE	PART NO.	REV.						
THIS DRAWING CONTAINS INFORMATION THAT IS PROPRIETARY AND SHOULD NOT BE USED WITHOUT PRIOR WRITTEN PERMISSION FROM ADAM TECH			X	PA-007-X	C						
REF:			SCALE:	NTS	SHEET 1 OF 2						

6

5

4

3

2

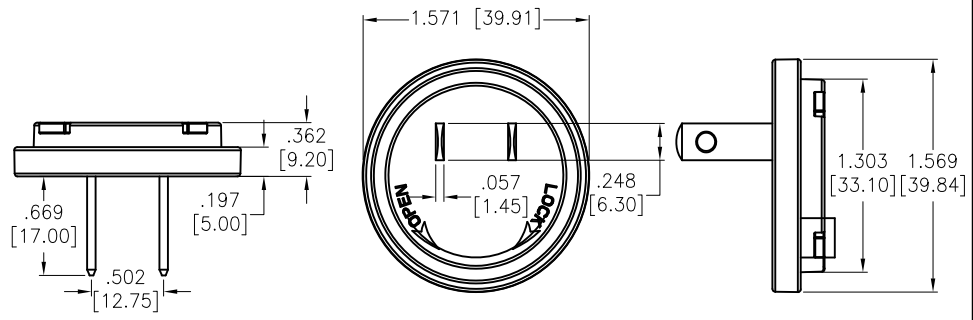
1

APPROVED: \_\_\_\_\_

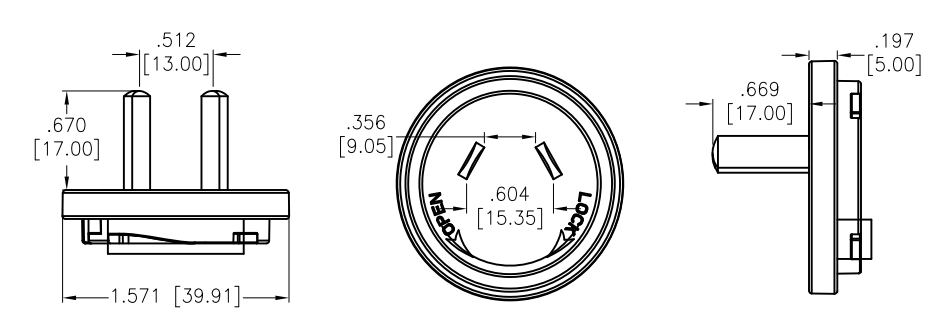
DATE: \_\_\_\_\_ TITLE: \_\_\_\_\_

Rev	AWO #	Description	Date	Appr
SEE SHT 1 OF 2 FOR REVISION				

D

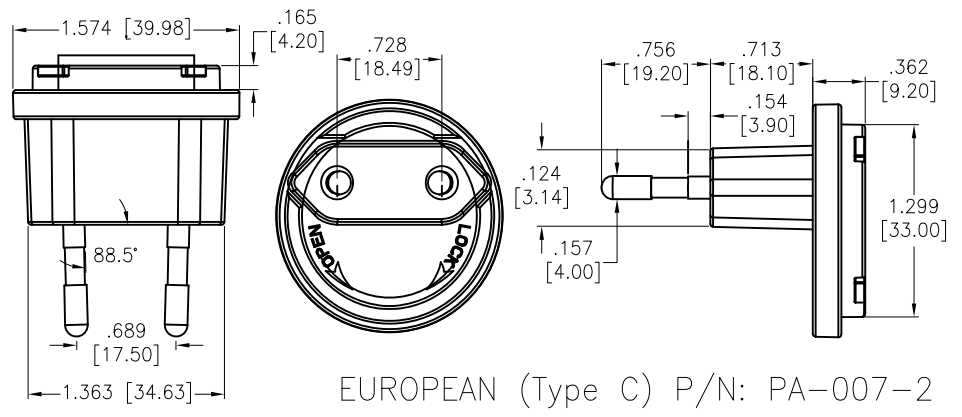


US (NEMA 1-15) P/N: PA-007-1

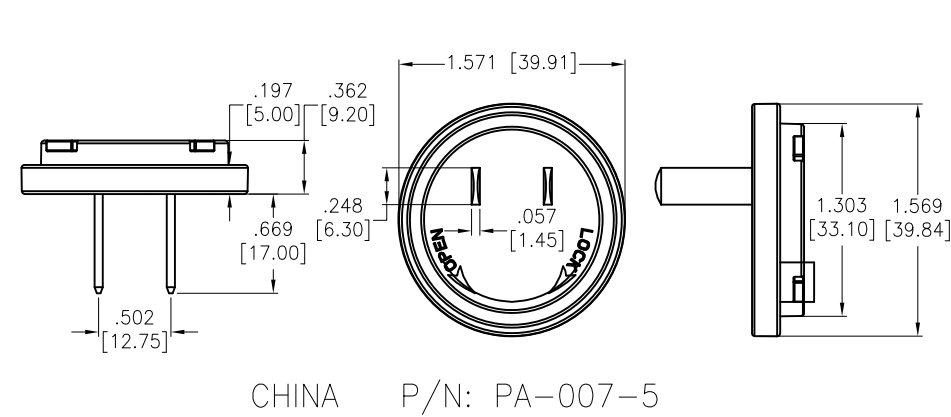


AUSTRALIAN P/N: PA-007-4

C



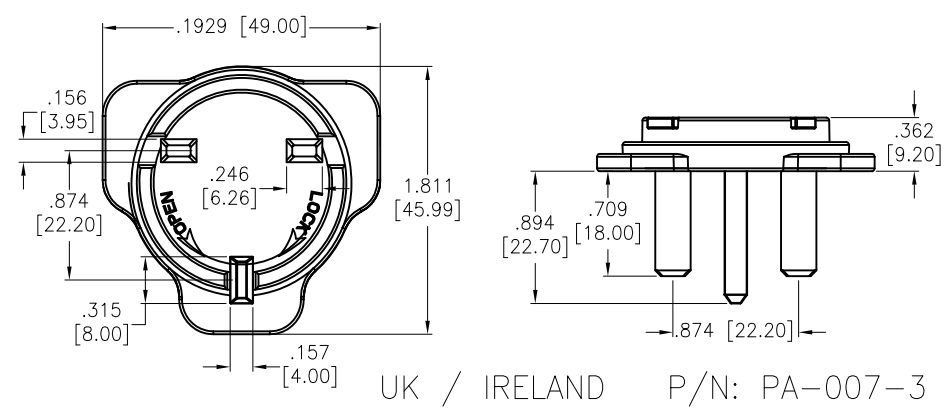
EUROPEAN (Type C) P/N: PA-007-2



CHINA P/N: PA-007-5

B

A



UK / IRELAND P/N: PA-007-3

UNLESS OTHERWISE SPECIFIED ALL DIMENSIONS ARE INCHES [MM]. TOLERANCES: EXCEPT AS NOTED

INCHES	HOLES
.X ± .10	Ø.X ± .10
.XX ± .020	Ø.XX ± .015
.XXX ± .015	Ø.XXX ± .010

DRAWN	WX	3/22/21
CHECKED	AC	3/22/21
APPROVED		

THIS DRAWING CONTAINS INFORMATION THAT IS PROPRIETARY AND SHOULD NOT BE USED WITHOUT PRIOR WRITTEN PERMISSION FROM ADAM TECH

**ADAM TECH**

909 Rahway Avenue,  
Union, NJ 07083  
Phone: 908-687-5000  
Fax: 908-687-5710

TITLE: POWER ADAPTER TO DC PLUG, COLOR BLACK  
9 VOLT, 2.2AMP, UL2468 20AWG, 5.5X2.1X9.5MM

SIZE	PART NO.	REV.
X	PA-007-X	C

REF: \_\_\_\_\_ SCALE: NTS SHEET 2 OF 2

6

5

4

3

2

1