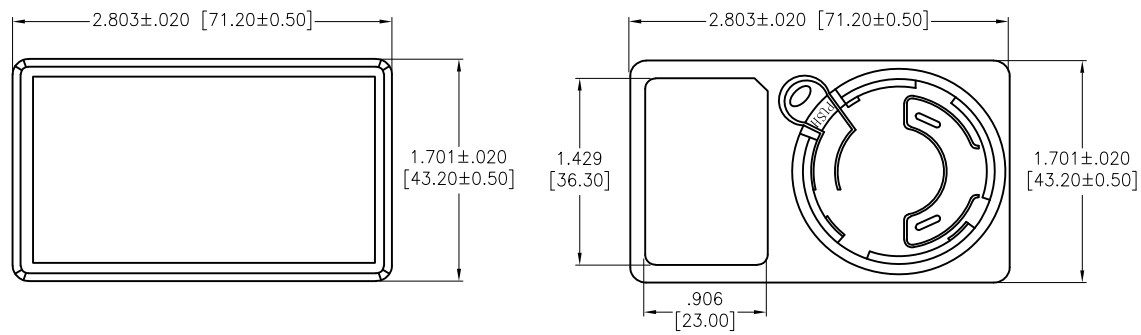
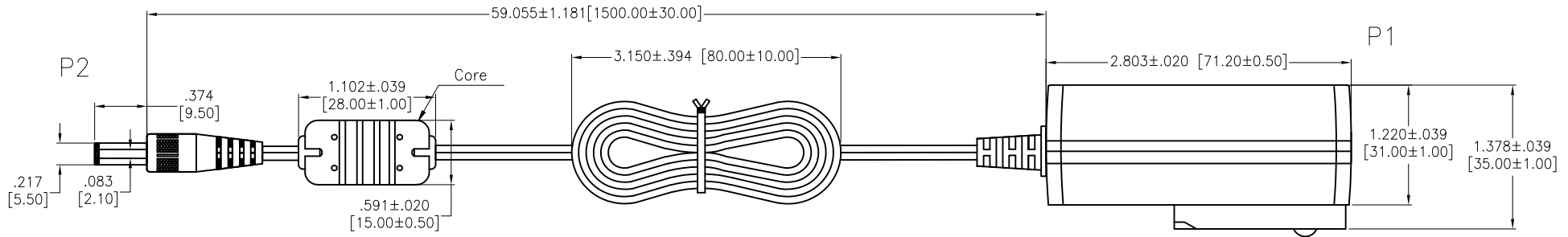


APPROVED: _____

DATE: _____ TITLE: _____

Rev	AWO #	Description	Date	Appr
-		RELEASED	3/22/21	
A		UPDATE LABEL	7/19/21	WX/AC
B		UPDATE LABEL	1/12/24	WX/SL



SPECIFICATIONS:

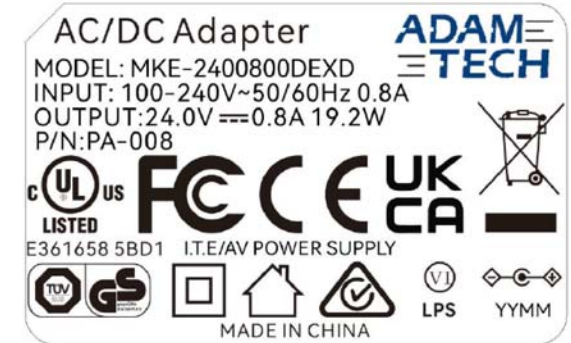
Connector
P1: Power Adapter, W/Strain
P2: DC Plug, W/Strain Relief, AC PIN: Brass Nickel plated, 5.5*2.1*9.5mm
Overmold Color: Black PVC-45P

CABLE:
UL2468: 24AWG*2C 80°C, Jacket Color: Black

Electrical:
Input:
Voltage: 100Vac to 240Vac
Current: 1.5A Max. @ 100Vac input & max load
Frequency: 50Hz / 60Hz
Output:
Voltage: 24V
Current: 0.8A max.
Load Regulation: ±5%
Line Regulation: ±3%

Line Load Regulation—Output Rate: 24V, 0.8A
Insulation Resistance: 100 Mohms min @ 500VDC
Dielectric withstanding voltage (Hi-pot): 3,000V AC For 1 Minute
Leakage Current: 0.25mA max. @ 240V AC/50Hz
Temperature Rating:
Operating Temperature: 0°C to +45°C
Storage Temperature: -25°C to +85°C

Environmental:
Lead free, RoHS compliant.



SEE SHT 2 OF 2 FOR PLUG TYPE OPTIONS

UNLESS OTHERWISE SPECIFIED ALL DIMENSIONS ARE INCHES [MM]. TOLERANCES: EXCEPT AS NOTED		
INCHES		HOLES
.X ±.10	∅X ±.10	
.XX ±.020	∅XX ±.015	
.XXX ±.015	∅XXX ±.010	
DRAWN	WX	3/22/21
CHECKED	AC	3/22/21
APPROVED		
THIS DRAWING CONTAINS INFORMATION THAT IS PROPRIETARY AND SHOULD NOT BE USED WITHOUT PRIOR WRITTEN PERMISSION FROM ADAM TECH		

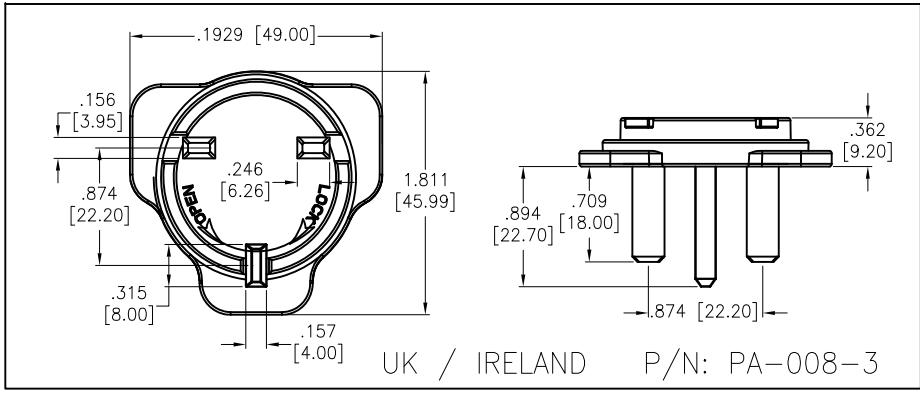
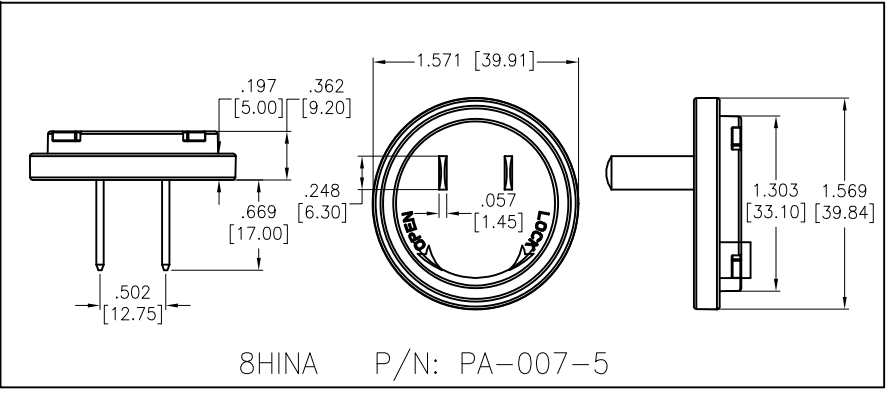
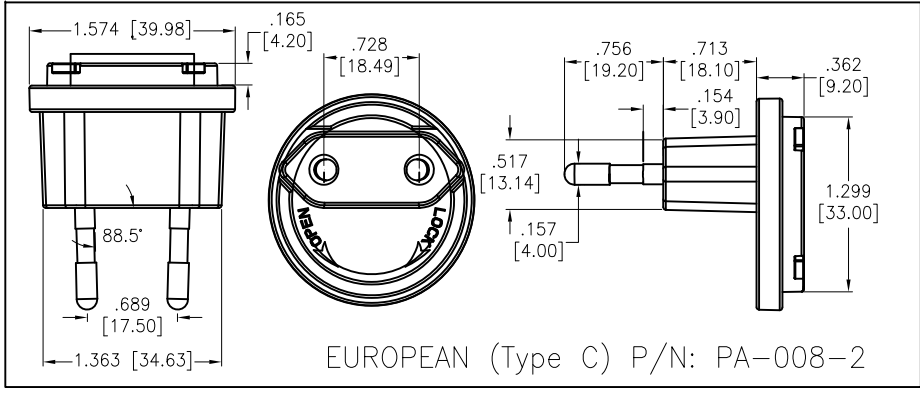
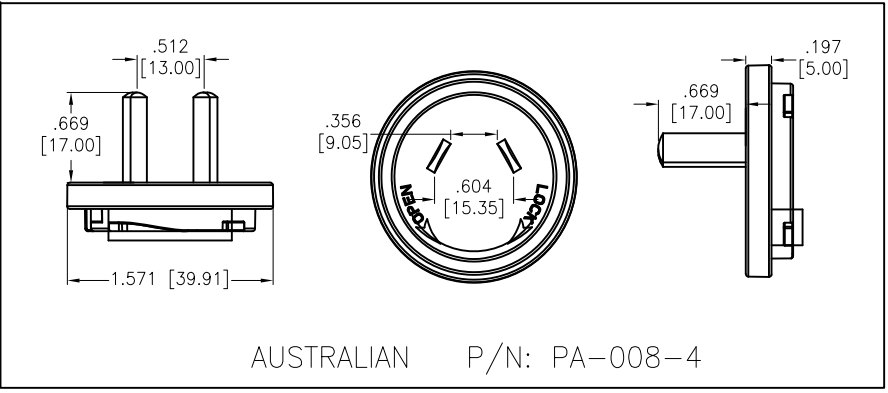
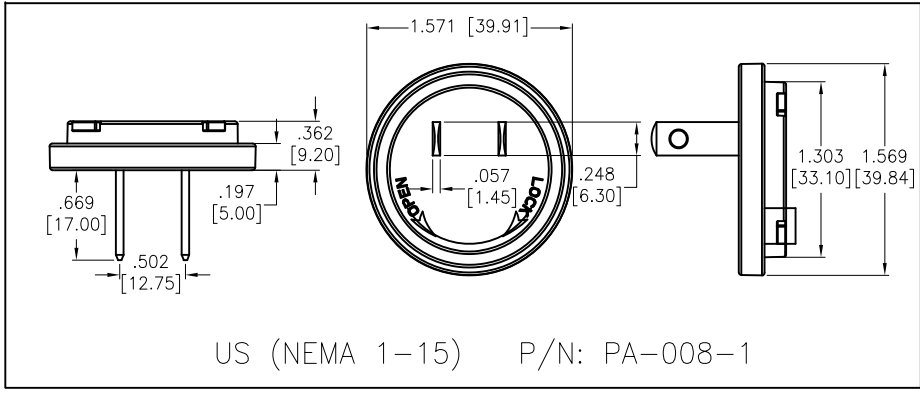
ADAM TECH
909 Rahway Avenue,
Union, NJ 07083
Phone: 908-687-5000
Fax: 908-687-5710

TITLE POWER ADAPTER TO DC PLUG, COLOR BLACK 24 VOLT, 0.8AMP, UL2468 24AWG		
SIZE X	PART NO. PA-008-X	REV. B
REF:	SCALE: NTS	SHEET 1 OF 2

APPROVED: _____

DATE: _____ TITLE: _____

Rev	AWO #	Description	Date	Appr
SEE SHT 1 OF 2 FOR REVISION				



UNLESS OTHERWISE SPECIFIED ALL DIMENSIONS ARE INCHES [MM]. TOLERANCES: EXCEPT AS NOTED

INCHES	HOLES
.X ± .10	Ø.X ± .10
.XX ± .020	Ø.XX ± .015
.XXX ± .015	Ø.XXX ± .010

DRAWN	WX	3/22/21
CHECKED	AC	3/22/21
APPROVED		

THIS DRAWING CONTAINS INFORMATION THAT IS PROPRIETARY AND SHOULD NOT BE USED WITHOUT PRIOR WRITTEN PERMISSION FROM ADAM TECH

ADAM TECH 909 Rahway Avenue, Union, NJ 07083
 Phone: 908-687-5000
 Fax: 908-687-5710

TITLE: POWER ADAPTER TO DC PLUG, COLOR BLACK
 24 VOLT, 0.8AMP, UL2468 24AWG

SIZE	PART NO.	REV.
X	PA-008-X	B

REF: SCALE: NTS SHEET 2 OF 2