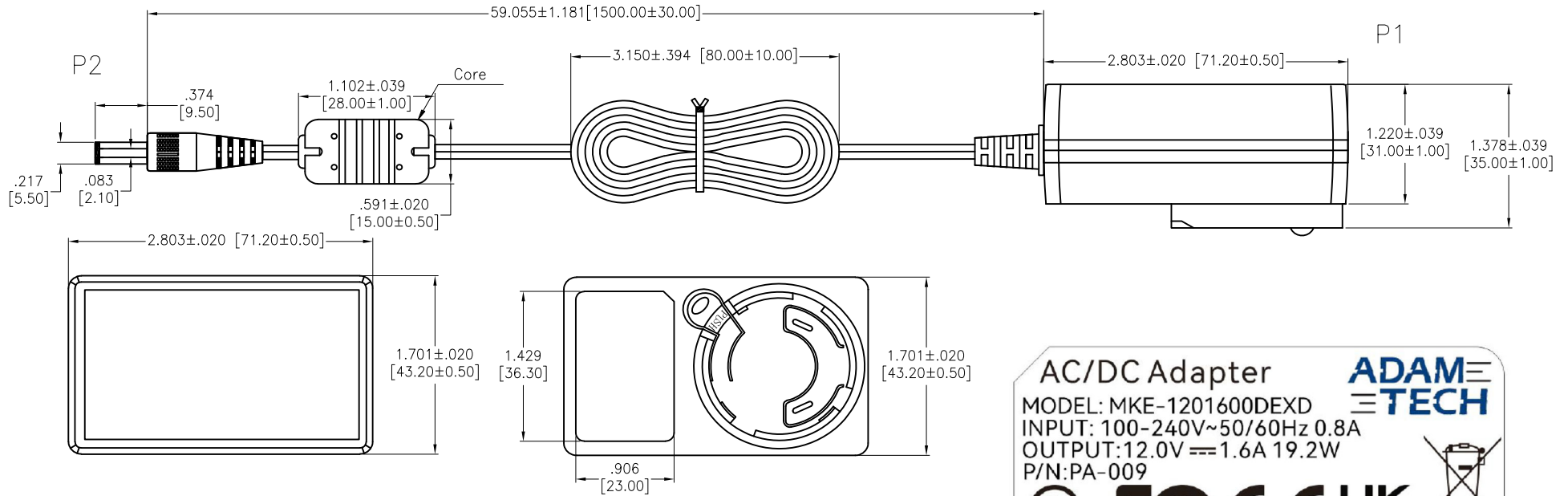


APPROVED: \_\_\_\_\_

DATE: \_\_\_\_\_ TITLE: \_\_\_\_\_

Rev	AWO #	Description	Date	Appr
-		RELEASED	3/23/21	
A		ADDED TOLERANCE	6/10/21	WX/AC
B		UPDATE LABEL	7/19/21	WX/AC
C		UPDATE LABEL	1/12/24	WX/SL
D		UPDATE TITTLE 20AWG	2/26/24	LH/SL



**SPECIFICATIONS:**

Connector

P1: Power Adapter, W/Strain

P2: DC Plug, W/Strain Relief, AC PIN: Brass Nickel plated, 5.5\*2.1\*9.5mm

Overmold Color: Black PVC-45P

CABLE:

UL2468: 20AWG\*2C 80°C, Jacket Color: Black

Electrical:

Input:

Voltage: 100Vac to 240Vac

Current: 0.8A Max.

Frequency: 50Hz / 60Hz

Output:

Voltage: 12V

Current: 1.6A max.

Load Regulation: ±5%

Line Regulation: ±1%

Line Load Regulation-Output Rate: 12V, 1.6A

Insulation Resistance: 50 Mohms min @ 500VDC

Dielectric withstanding voltage (Hi-pot): 3,000V AC For 1 Minute

Leakage Current: 0.5mA max. @ 240V AC/50Hz

Temperature Rating:

Operating Temperature: 0°C to +45°C

Environmental:

Lead free, RoHS compliant.



**AC/DC Adapter** **ADAM TECH**

MODEL: MKE-1201600DEXD

INPUT: 100-240V~50/60Hz 0.8A

OUTPUT: 12.0V = 1.6A 19.2W

P/N: PA-009

E361658 5BD1

I.T.E/AV POWER SUPPLY

MADE IN CHINA

SEE SHT 2 OF 2 FOR PLUG TYPE OPTIONS

UNLESS OTHERWISE SPECIFIED ALL DIMENSIONS ARE INCHES [MM]. TOLERANCES: EXCEPT AS NOTED		
INCHES		HOLES
.X ± .10		ØX ± .10
.XX ± .020		ØXX ± .015
.XXX ± .015		ØXXX ± .010

DRAWN	WX	3/23/21
CHECKED	AC	3/23/21
APPROVED		

THIS DRAWING CONTAINS INFORMATION THAT IS PROPRIETARY AND SHOULD NOT BE USED WITHOUT PRIOR WRITTEN PERMISSION FROM ADAM TECH

909 Rahway Avenue,  
Union, NJ 07083  
Phone: 908-687-5000  
Fax: 908-687-5710

---

**TITLE**  
POWER ADAPTER TO DC PLUG, COLOR BLACK  
12 VOLT, 1.6AMP, UL2468 20AWG, 5.5X2.1X9.5MM

SIZE	PART NO.	REV.
X	PA-009-X	C

REF: \_\_\_\_\_ SCALE: NTS SHEET 1 OF 2

6

5

4

3

2

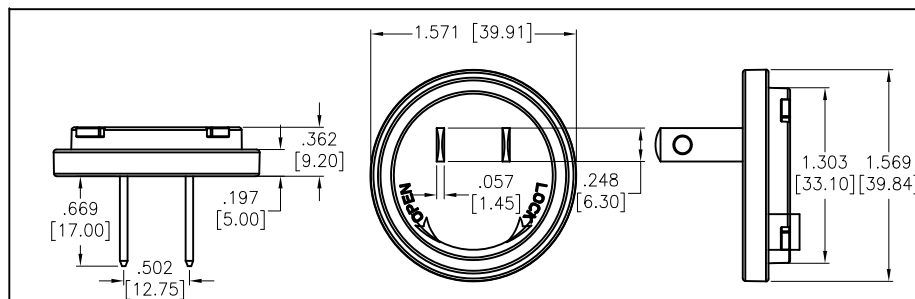
1

APPROVED: \_\_\_\_\_

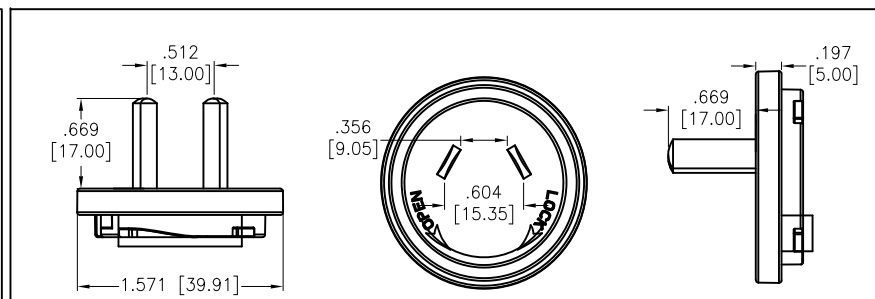
DATE: \_\_\_\_\_ TITLE: \_\_\_\_\_

Rev AWO # Description Date Appr

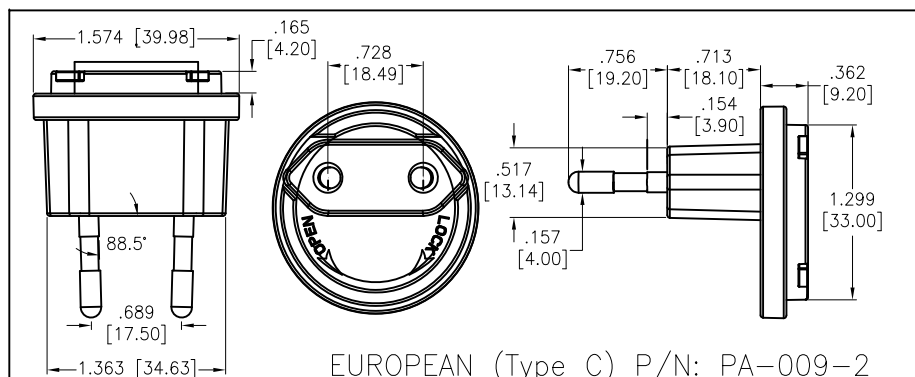
SEE SHT 1 OF 2 FOR REVISION



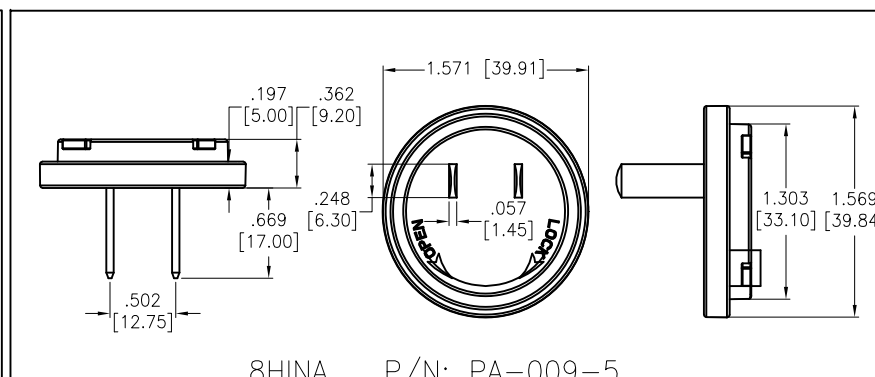
US (NEMA 1-15) P/N: PA-009-1



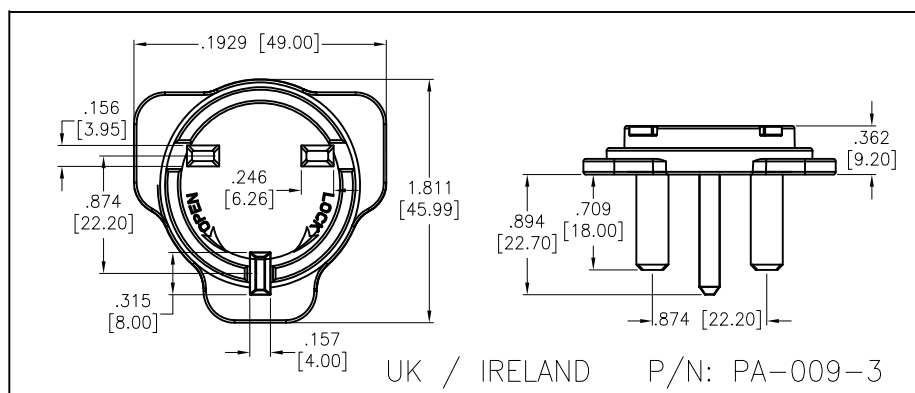
AUSTRALIAN P/N: PA-009-4



EUROPEAN (Type C) P/N: PA-009-2



8HINA P/N: PA-009-5



UK / IRELAND P/N: PA-009-3

UNLESS OTHERWISE SPECIFIED ALL DIMENSIONS ARE INCHES [MM]. TOLERANCES: EXCEPT AS NOTED

INCHES	HOLES
.X ± .10	Ø.X ± .10
.XX ± .020	Ø.XX ± .015
.XXX ± .015	Ø.XXX ± .010

**ADAM**  
**TECH**

 909 Rahway Avenue,  
 Union, NJ 07083  
 Phone: 908-687-5000  
 Fax: 908-687-5710

DRAWN	WX	3/23/21
CHECKED	AC	3/23/21
APPROVED		

 TITLE  
 POWER ADAPTER TO DC PLUG, COLOR BLACK  
 12 VOLT, 1.6AMP, UL2468 20AWG, 5.5X2.1X9.5MM

THIS DRAWING CONTAINS INFORMATION THAT IS PROPRIETARY AND SHOULD NOT BE USED WITHOUT PRIOR WRITTEN PERMISSION FROM ADAM TECH

SIZE	PART NO.	REV.
X	PA-009-X	C

REF: SCALE: NTS SHEET 2 OF 2

6

5

4

3

2

1